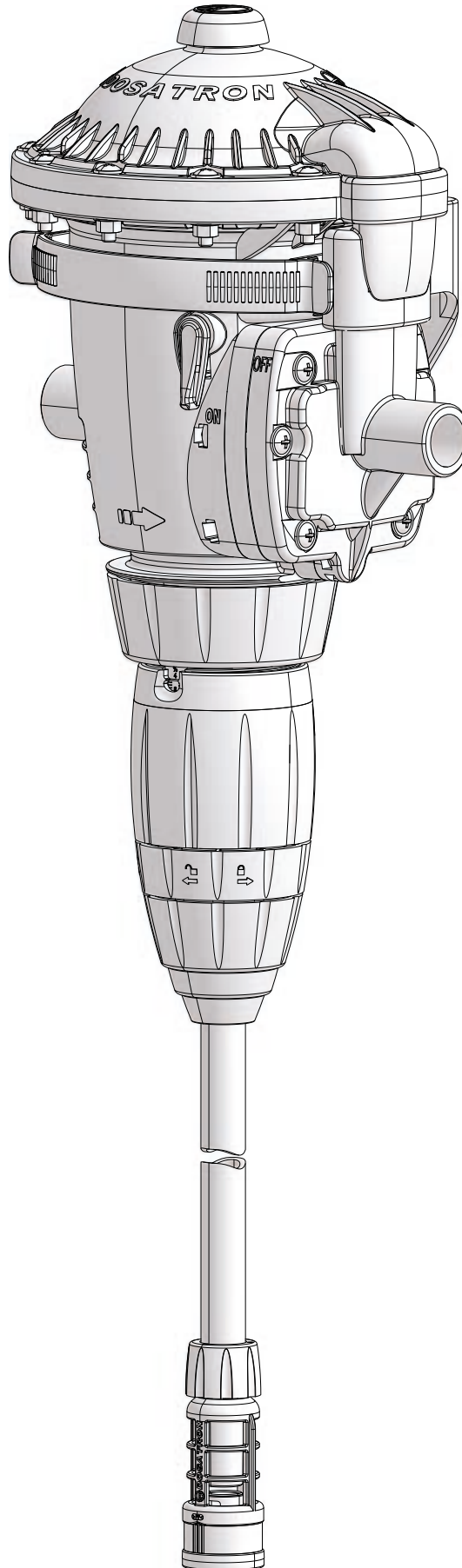


**DIA 1 - 4%**

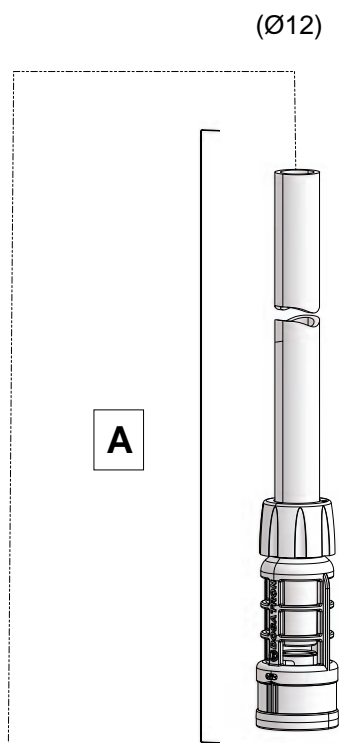
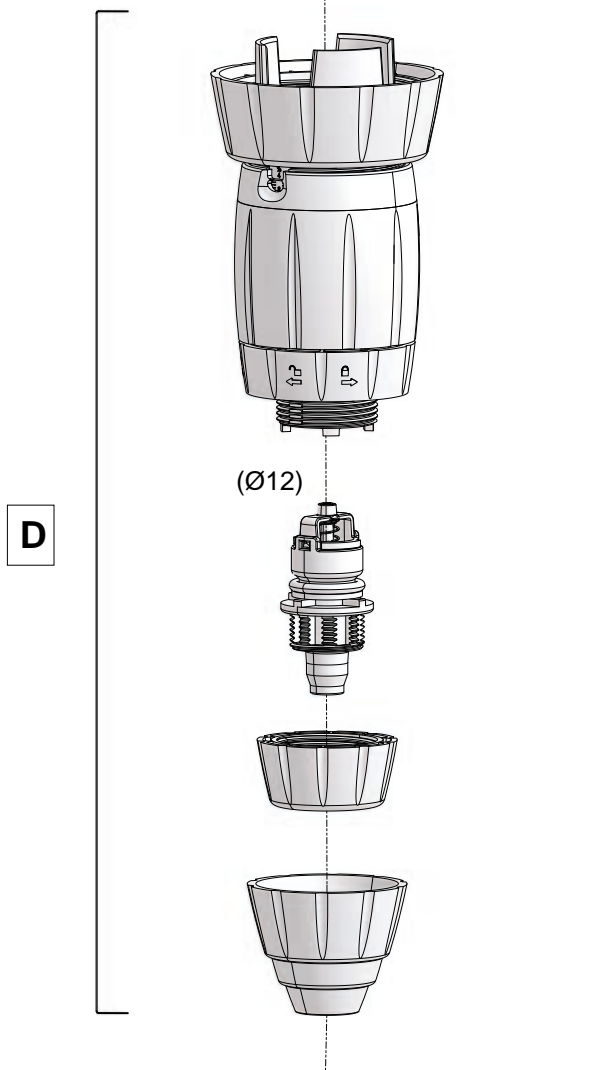
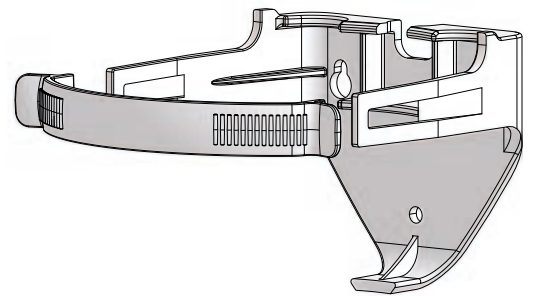
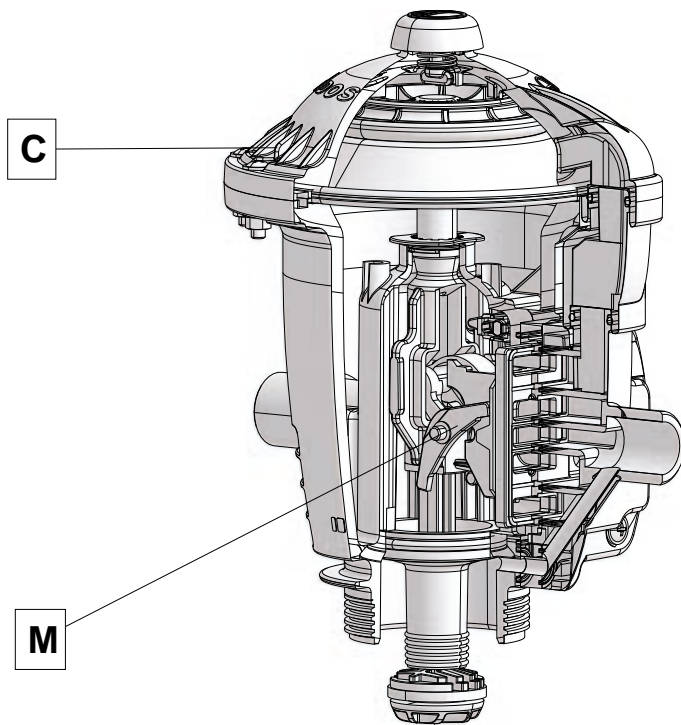
**ANDO**  
TECHNIK  
Tel.: 040/8224565-0  
www.ando-technik.com

2.5m<sup>3</sup>/h - 1 - 4%  
11 GPM - 1:100 - 1:25  
0.15 - 4 bar  
2.2 - 57 psi



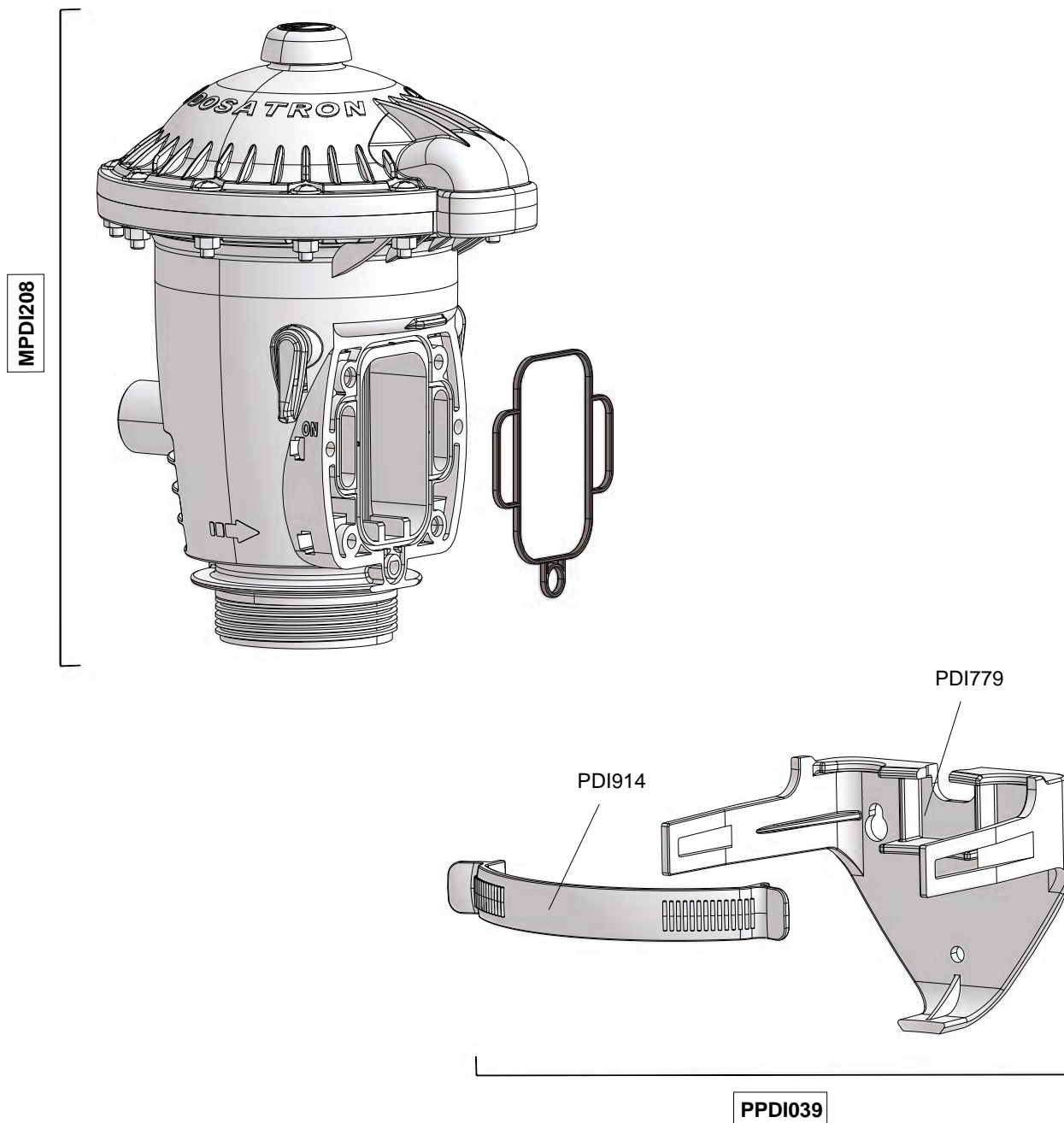
# DIA 1 - 4%

2.5m<sup>3</sup>/h - 1 - 4%  
11 GPM - 1:100 - 1:25  
0.15 - 4 bar  
2.2 - 57 psi



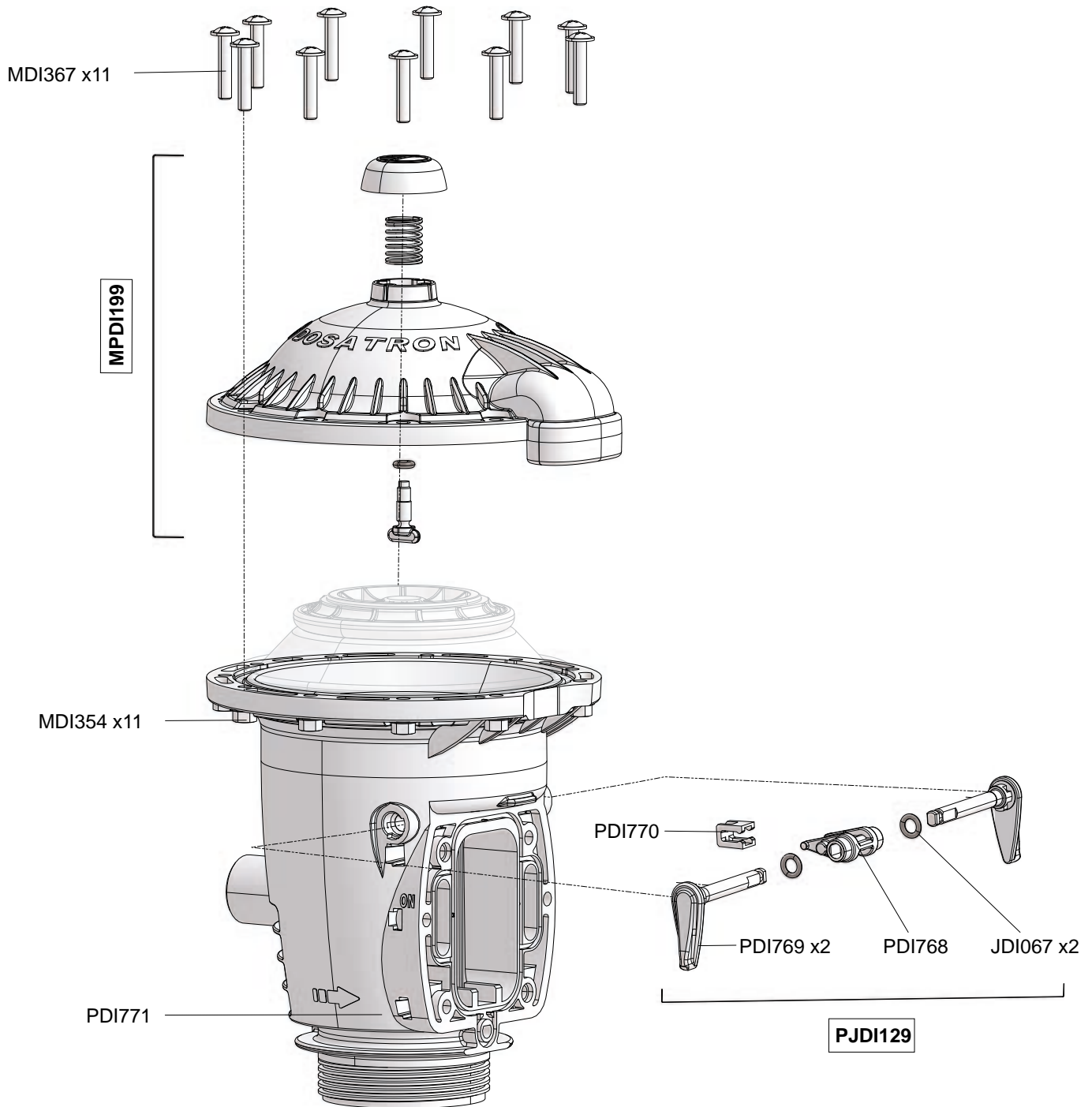
# DIA 1 - 4%

2.5m<sup>3</sup>/h - 1 - 4%  
11 GPM - 1:100 - 1:25  
0.15 - 4 bar  
2.2 - 57 psi



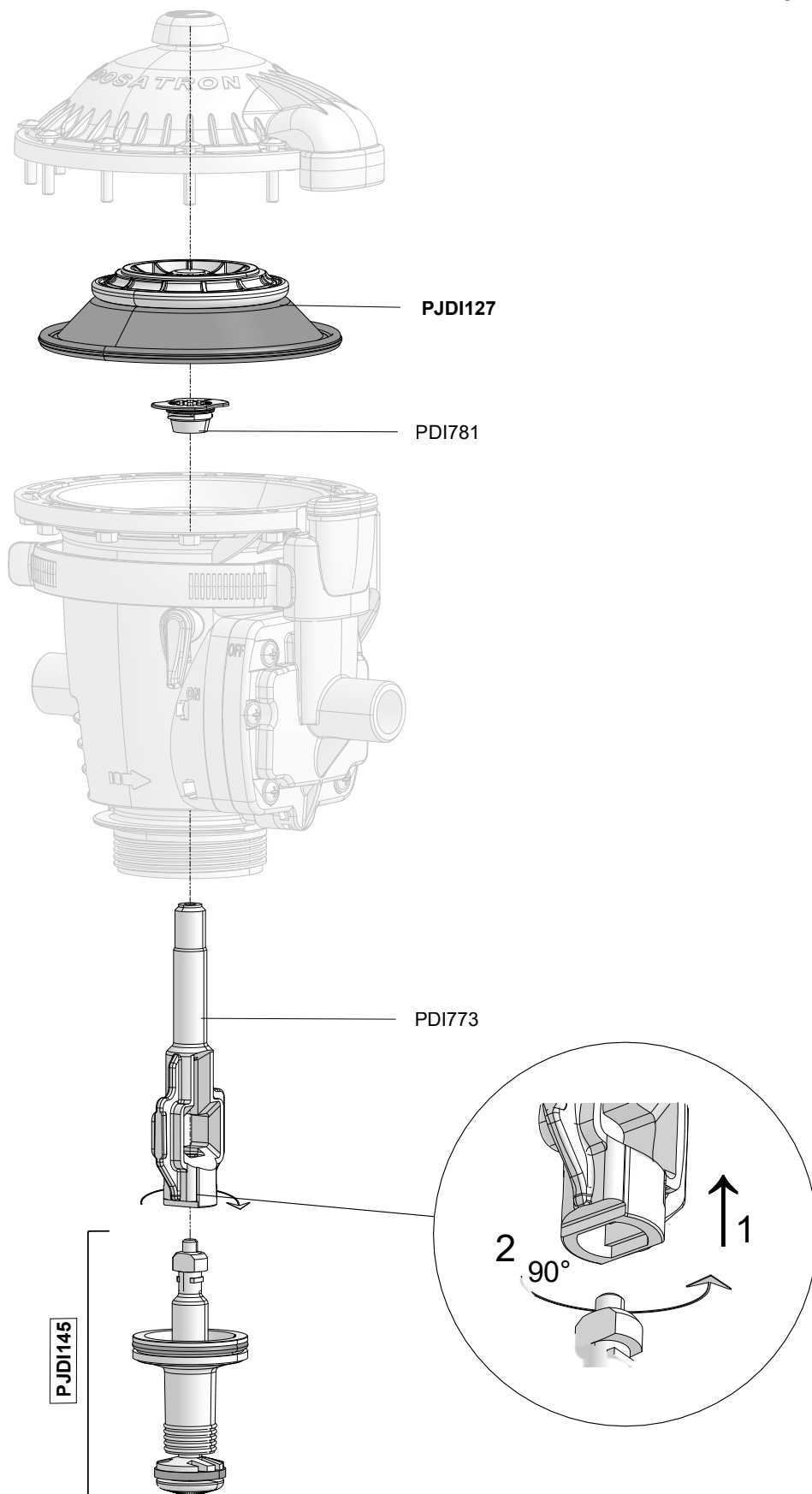
# DIA 1 - 4%

2.5m<sup>3</sup>/h - 1 - 4%  
11 GPM - 1:100 - 1:25  
0.15 - 4 bar  
2.2 - 57 psi



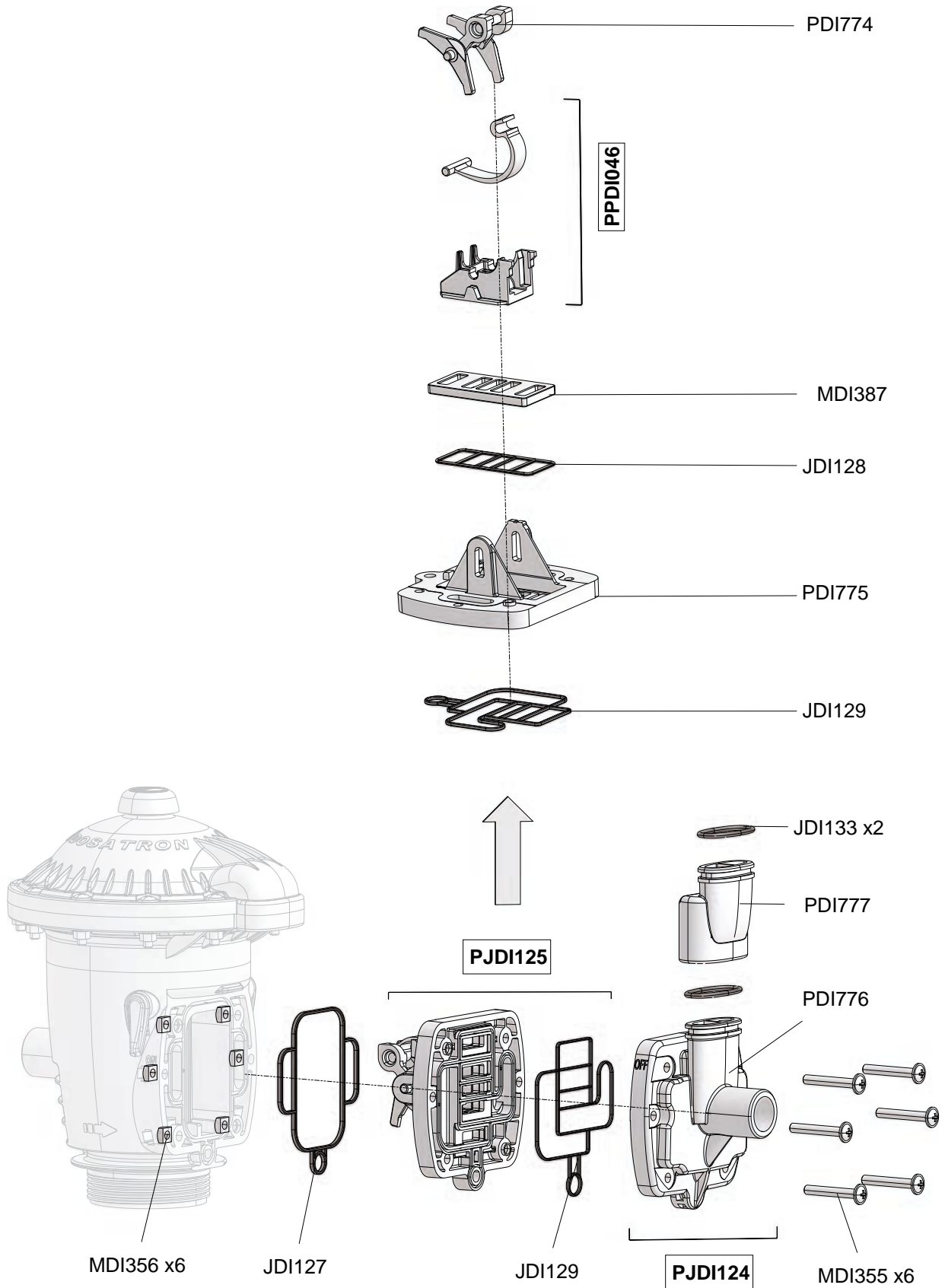
# DIA 1 - 4%

2.5m<sup>3</sup>/h - 1 - 4%  
11 GPM - 1:100 - 1:25  
0.15 - 4 bar  
2.2 - 57 psi



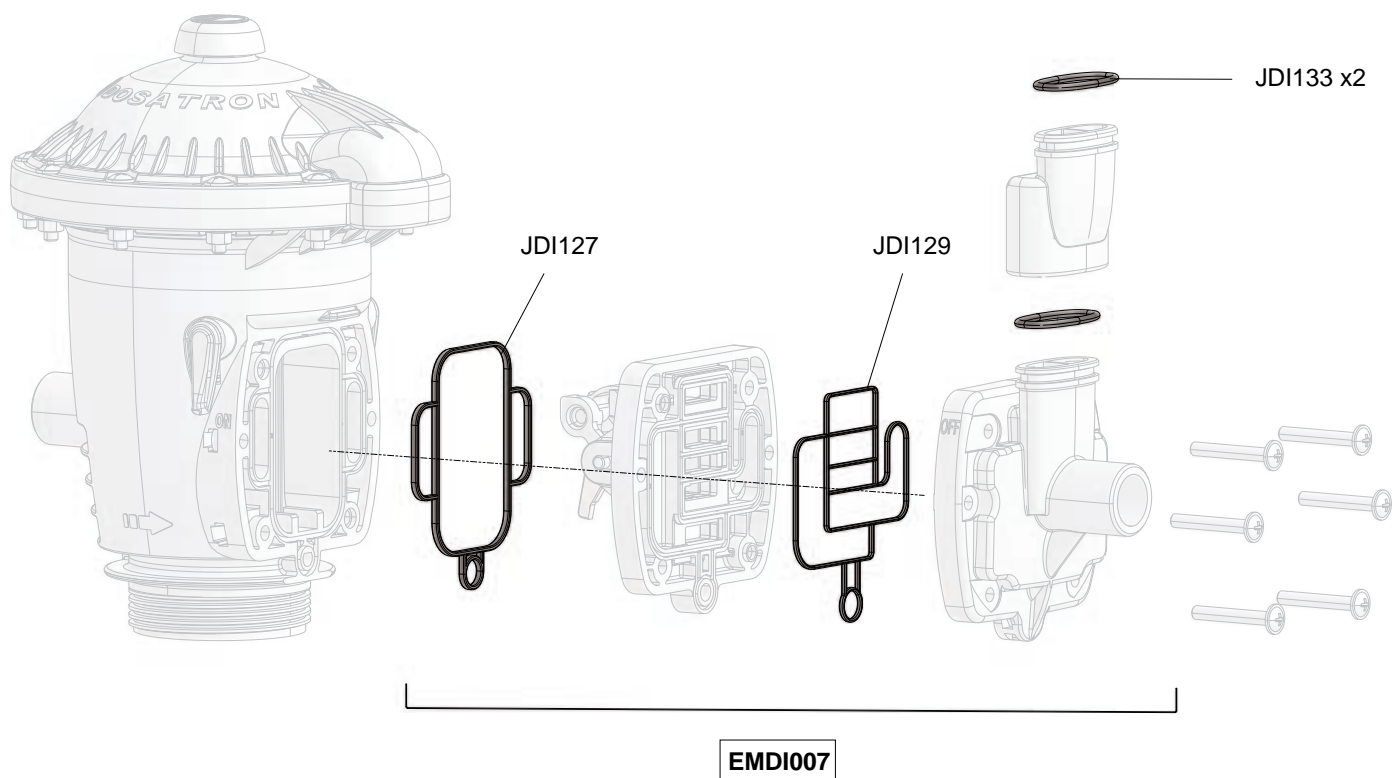
# DIA 1 - 4%

2.5m<sup>3</sup>/h - 1 - 4%  
 11 GPM - 1:100 - 1:25  
 0.15 - 4 bar  
 2.2 - 57 psi



# DIA 1 - 4%

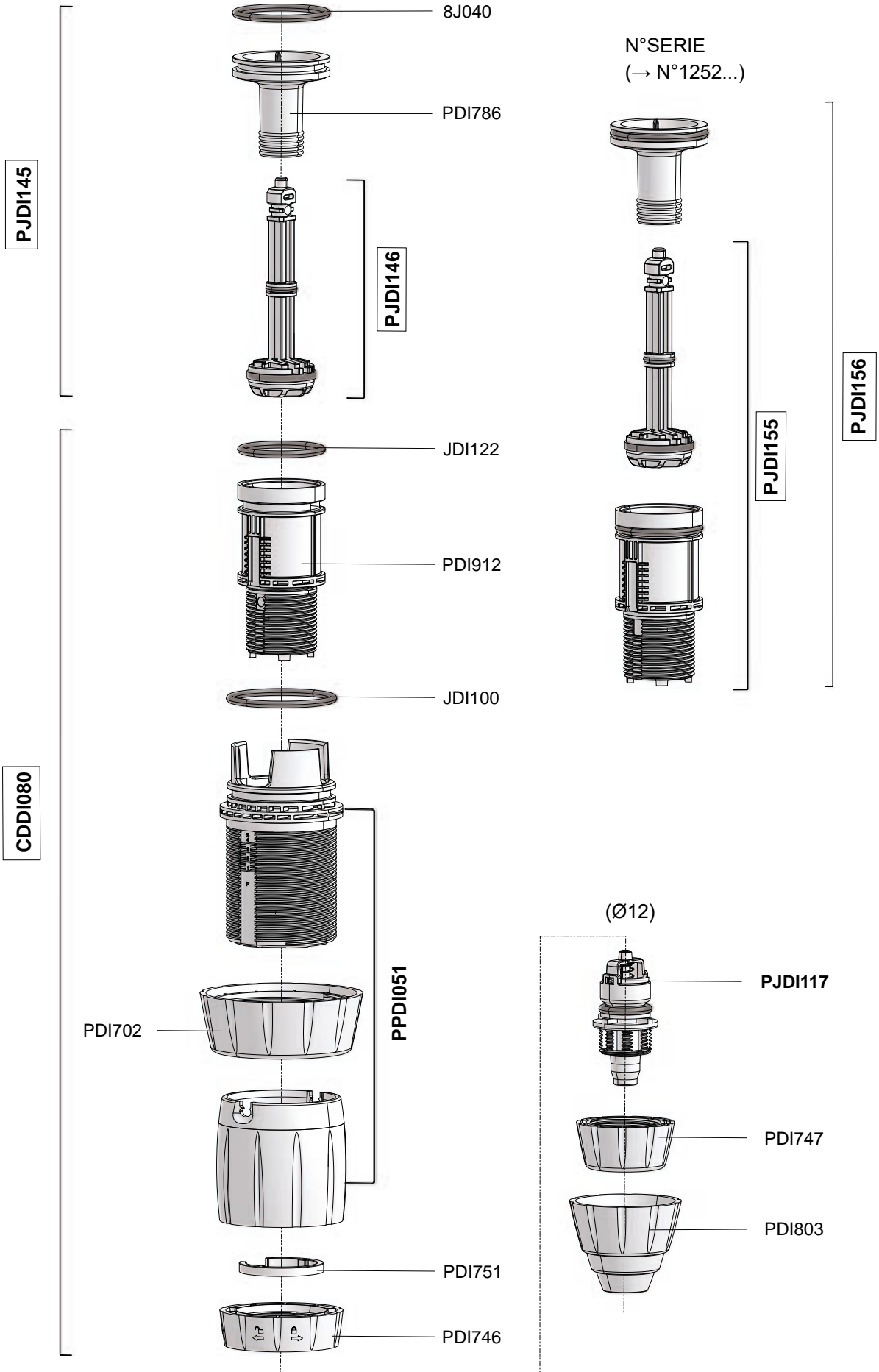
2.5m<sup>3</sup>/h - 1 - 4%  
11 GPM - 1:100 - 1:25  
0.15 - 4 bar  
2.2 - 57 psi





# DIA 1 - 4%

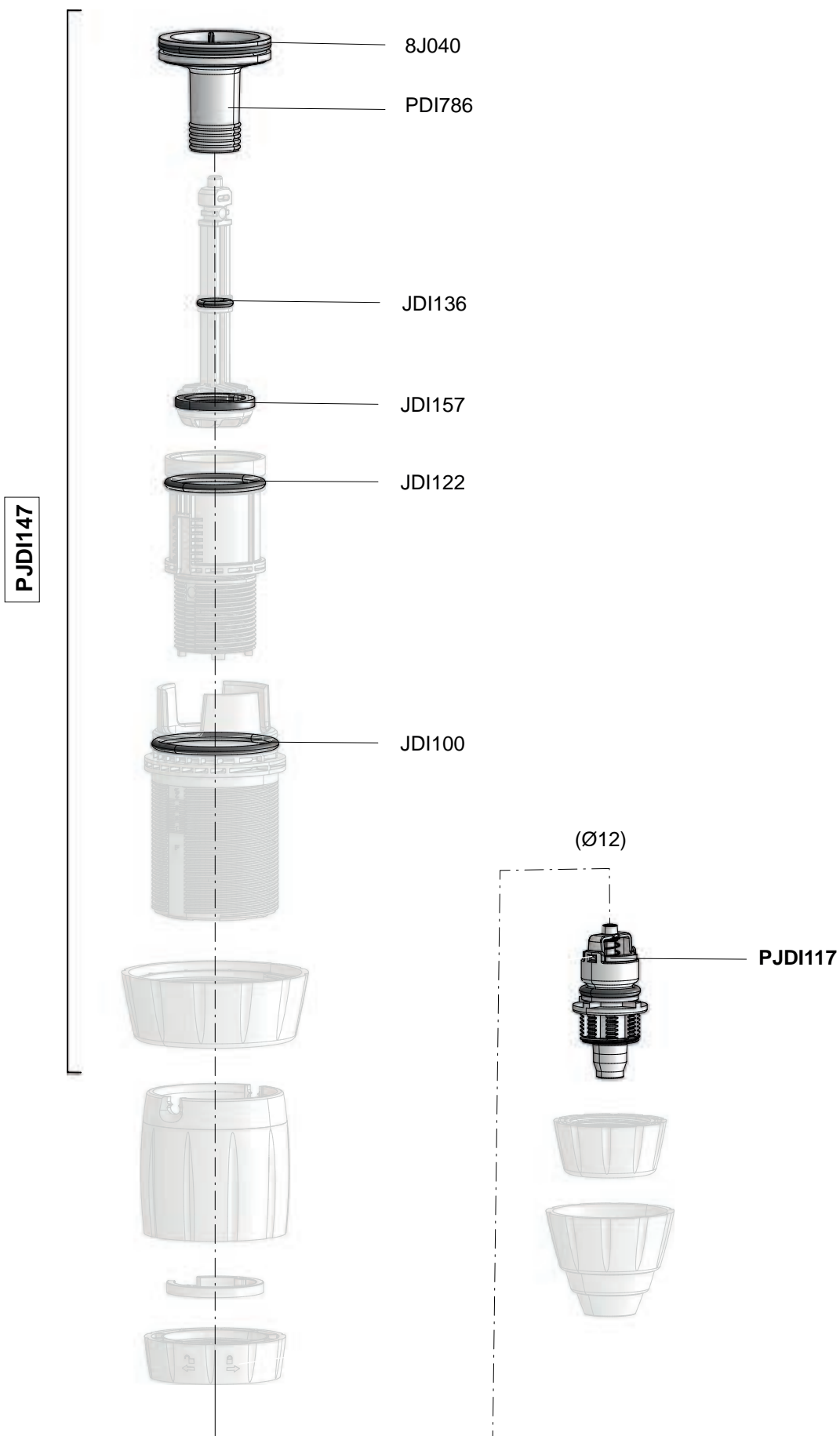
2.5m<sup>3</sup>/h - 1 - 4%  
 11 GPM - 1:100 - 1:25  
 0.15 - 4 bar  
 2.2 - 57 psi





# DIA 1 - 4%

2.5m<sup>3</sup>/h - 1 - 4%  
11 GPM - 1:100 - 1:25  
0.15 - 4 bar  
2.2 - 57 psi



**DIA 1 - 4%**

2.5m<sup>3</sup>/h - 1 - 4%  
11 GPM - 1:100 - 1:25  
0.15 - 4 bar  
2.2 - 57 psi

